



Mr.C.Praveen Kumar, B.E, M.E, (PhD)

Assistant Professor (Senior Grade)

Department of Electronics and Instrumentation Engineering

044 – 27454784 / 726, 27451498

praveenkumarc.eie@srmvalliammai.ac.in



Areas of Research

- **Process Control** – PLC, PID Controller loop, Controller Designing, Controller Tuning
- **Control System** – System Modeling, Controllability, Stability, Compensator Design
- **Industrial Instrumentation** – Flow meters, Pressure & Level Sensors, P&ID Diagram
- **Optimization** – Data Processing, Neural Network System, Fuzzy logic Controller





Mr. B. Parameswaran B.E, M.E, (Ph.D)

Assistant Professor (Senior Grade),
Electronics and Instrumentation Engineering

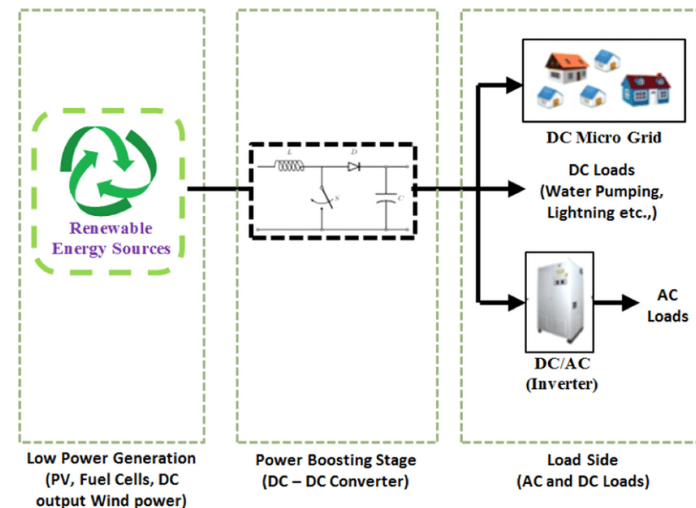
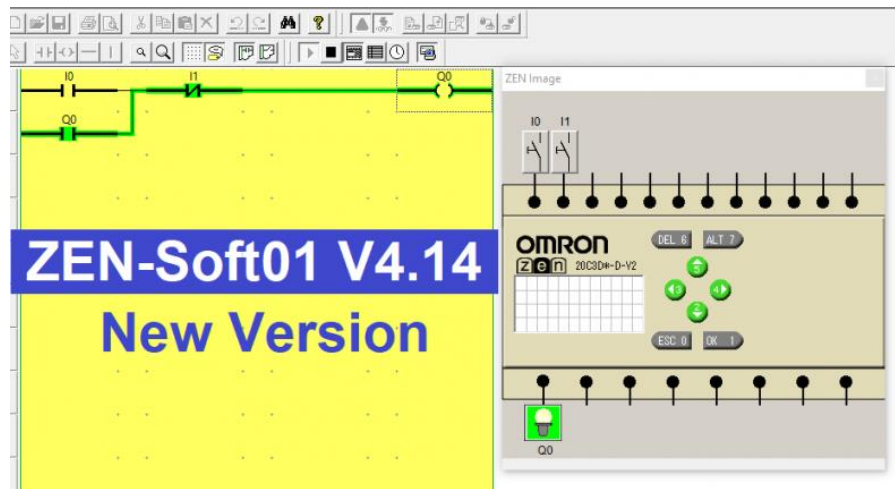
044 - 27454784 / 726, 27451498

parameswaranb.eie@srmvalliammai.ac.in



Areas of Research

- **Process Control** - Programmable Logic Controller(Omron PLC, GE Fanuc PLC), Controller Design
- **Power Electronics** - DC - DC Converter Design, Power Electronics for Renewable Energy System
- **Optimization** - Fuzzy Logic system and Neural Network
- **Instrumentation** - Level & flow sensors and Transducers



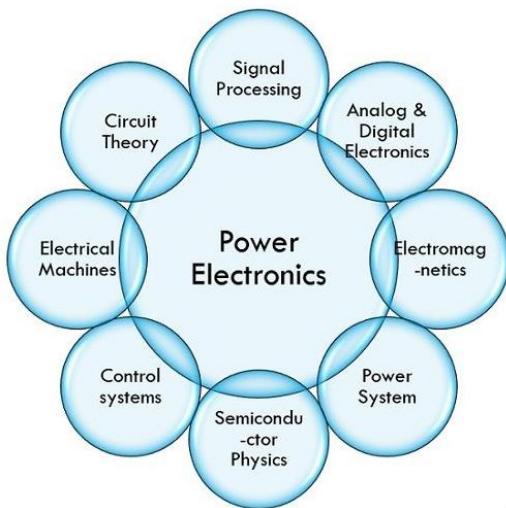


Dr. K. Ayyar B.E, M.E, Ph.D.,
Associate Professor,
Electronics and Instrumentation Engineering
044 - 27454784 / 726, 27451498
ayyark.eie@srmvalliammai.ac.in



Areas of Research

- **Power Electronics** - Devices : Power Diodes, Thyristors and Transistors & Converters : AC-DC, DC-DC, AC-AC, Voltage regulators, Cycloconverters
- **Electric Drives** - Power modulator, motor, controlling unit and sensing units.
- **Control Systems** - Linear and Non linear Systems (SISO & MIMO), Intelligent Control, Cognitive Modeling, Soft Computing.
- **Renewable Energy Systems** - Energy resources, Photovoltaic System



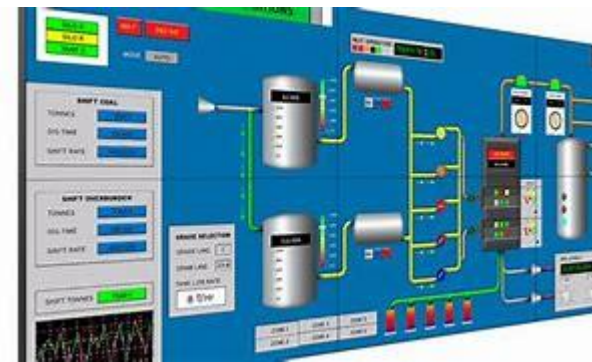


Mr.N. Sowrirajan
B.E., M.E.,
Assistant Professor(S.G),
Electronics and Instrumentation Engineering
044 - 27454784 / 726, 27451498
Sowrirajann.eie@srmvalliammai.ac.in



Areas of Research

- **Control System** - Optimal, Robust and Adaptive Controls, Non-Linear and Stochastic Controls, Modeling and Identification; Artificial Intelligent and Expert System, Fuzzy Logic and Neural Network, Complex Adaptive Systems, Image Based Control, Hybrid and Switching Control, Process Optimization and Scheduling; Control and Intelligent Systems





Mr.P.Tamilmani

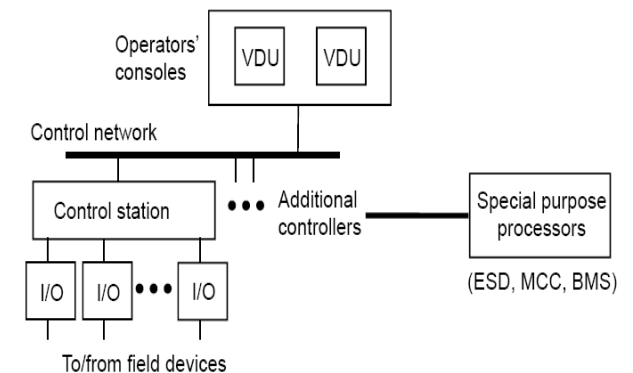
B.E(EIE), M.E (Electronics & Control Engineering)
Assistant Professor(Selection Grade)
Department of Electronics and Instrumentation Engineering
044 - 27454784 / 726, 27451498
tamilmanip.eie@srmvalliammai.ac.in



Areas of Research

- **Process Control** - Controller Design, PLC, DCS & MIMO Systems
- **Power Converters** - Multi Level Inverter
- **Renewable Energy** - PV Solar Systems
- **E-Vehicle** - Battery and Power Management

DC to AC Power Converter



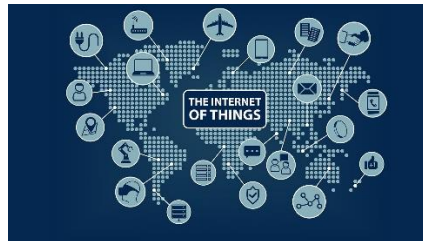


Mr.R. IssanRaj
B.E (ECE), M.E(C&I), Ph.D.(Pursuing)
Assistant Professor(S.G)
Electronics and Instrumentation Engineering
044 - 27454784 / 726, 27451498
Issanrajr.eie@srmvalliammai.ac.in



Areas of Research

- **Renewable Energy**- Modelling and design of Renewable sources
- **Internet of Things**-Robotics, Optimization
- **Embedded Programming**-Microcontroller Programming based design
- **Image Processing** - Data security, Cryptography





Ms.M. Shanthi
B.E., M.E.,
Assistant Professor(S.G)
Electronics and Instrumentation Engineering
044 - 27454784 / 726, 27451498
shanthim.eie@srmvalliammai.ac.in



Areas of Research

- **Control System** -Non-Linear Controls, Modeling and Identification, Hybrid Control, Process Optimization, Machine Learning, Artificial Intelligent System, Fuzzy Logic and Neural Network
- **Internet of Things**-Robotics, Optimization



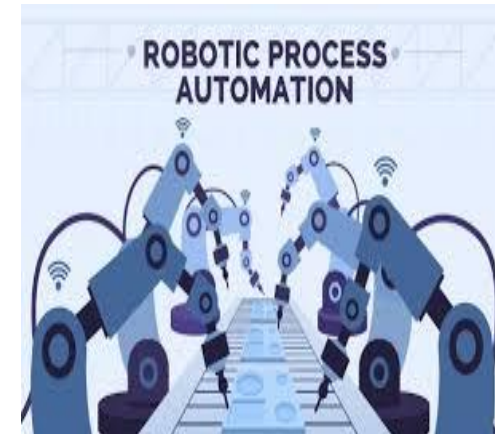
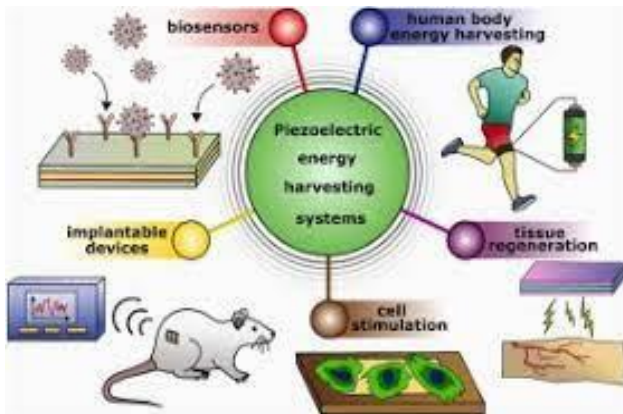


Ms K.S.JAIBHAVANI
B.E, M.Tech, (Ph.D) Assistant
Professor -Selection Grade
Electronics and Instrumentation
Engineering
044 – 27454784 /726 , 27451498
jaibhavaniks.eie@srmvalliammai.ac.in



Areas of Research

- Energy Harvesting Techniques for sustainability – making devices energy autonomous.
- Process Control and Automation
- Robotics and Automation





Mr.K.R.Ganesh

B.E(EIE), M.E (VLSI Design)

Assistant Professor (Senior Grade)

Electronics and Instrumentation Engineering

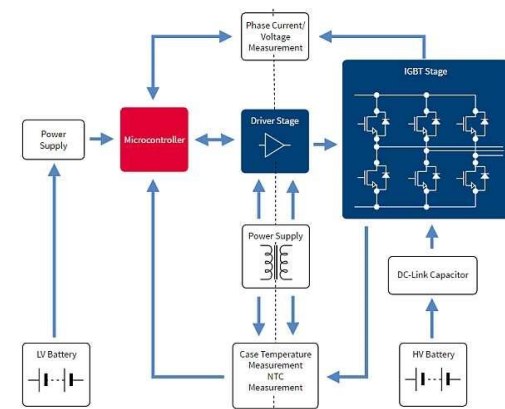
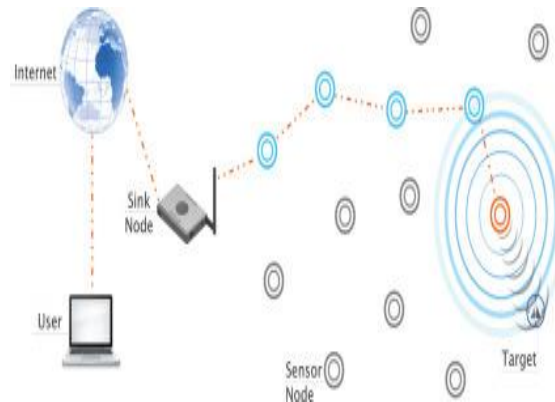
044 - 27454784 / 726, 27451498

ganeshkr.eie@srmvalliammai.ac.in



Areas of Research

- **Internet of Things** - Smart meters, Robots ,Wearable Devices, IoT Enabled Systems
- **Renewable Energy** - PV Solar Systems
- **E-Vehicle-** Battery and Power Management
- **Wireless communication**-Efficient VLSI Systems





Dr. S. Visalakshi

B.E., M.E., PhD.,

Professor and Head

Electronics and Instrumentation Engineering

9444686788, 044 - 27454784 / 726, 27451498

visalakshis.eie@srmvalliammai.ac.in



Areas of Research

- **Power Systems deregulation** - Congestion Management, Ancillary Services, Power transactions in pool market, bilateral & multilateral power market.
- **Renewable energy systems**
 1. Design of solar cells for maximum Energy extractions.
 2. Design of wind energy systems for deregulated power market.
 3. Other green energy systems.

